

FLOORS IN BUILDINGS

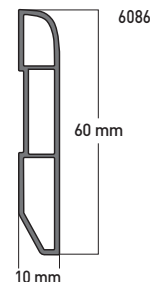
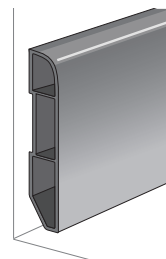
[504A] DESIGN SKIRTING (PRODUCT CODE 6086)



Min. ambient
temperature: 10 °C

PACKAGING:

Skirting: 6 x 2 m = 12 ml



1. SURFACE PREPARATION

- The surface should be sound, clean and dry.
- Make sure that the bottom sections of the wall or partition are sound, hard and ready to receive the skirting attached with adhesive.
- Correct the evenness of the walls or partitions if required by applying a primer + coating, so as to obtain a plane, smooth and non-porous surface.
- Remove paint from painted surfaces.
- On fiberglass grid, cut the interlayer at the height of the skirting before it is applied in order to avoid any loss of adherence.

2. MATERIALS and CUTTING THE SKIRTING

MATERIALS:

- Fine-toothed mitre saw/Electric cross-cut saw
- Adhesive sealant or dry adhesive cartridge (according to manufacturer's recommendations)
- Fine grain sandpaper
- Sandpapering block
- Double-sided adhesive tape such as Romtack by ROMUS

CUTTING THE SKIRTING:

- For joins on the same wall, produce a straight cut.
- For corners, cut at 45°. Sand each cutting edge with medium grain sandpaper followed by fine grain sandpaper.

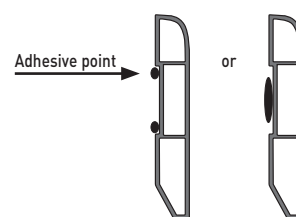


3. INSTALLATION

A - ATTACHING WITH ADHESIVE:

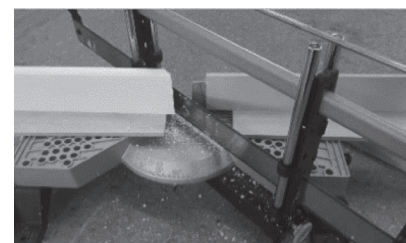
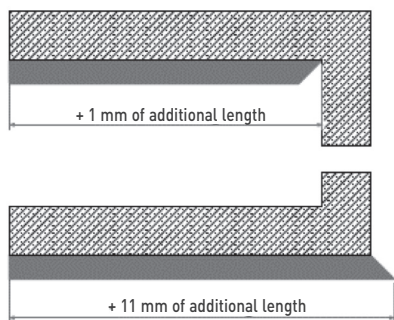
This method is only recommended on perfectly plane surfaces.

- Spray the adhesive onto the plane part of the skirting.
- Place the skirting against the wall and apply pressure to ensure satisfactory adherence.
- Repeat the procedure for all the skirting sections.



B - FITTING ROUND CORNERS:

- Measure or estimate the corner of the wall (internal or external).
- Measure its length up to the external corner, add 11 mm (or the equivalent of one thickness of the skirting) and cut at 45° to the outside to ensure a clean join. Leave an additional length of 1 mm.
- Use a mitre saw to cut each end of the skirting with an angle half that of the wall. NB: the skirting must be kept perfectly perpendicular to the saw.
- Place the 2 pieces of skirting in position to check the join at the corner.
- Attach each piece of skirting with adhesive.



IMPORTANT : The information in this document is valid from 01/12/2018 and is subject to change without prior notice. We are continuously making technical improvements to our products; before starting any work, our customers should check with us that this document is still in force.

FLOORS IN BUILDINGS

[504A] DESIGN SKIRTING (PRODUCT CODE 6086)

C - INSERT TIP:

- Breakable plug on one end or the other.
- Glue with an adhesive sealant.

